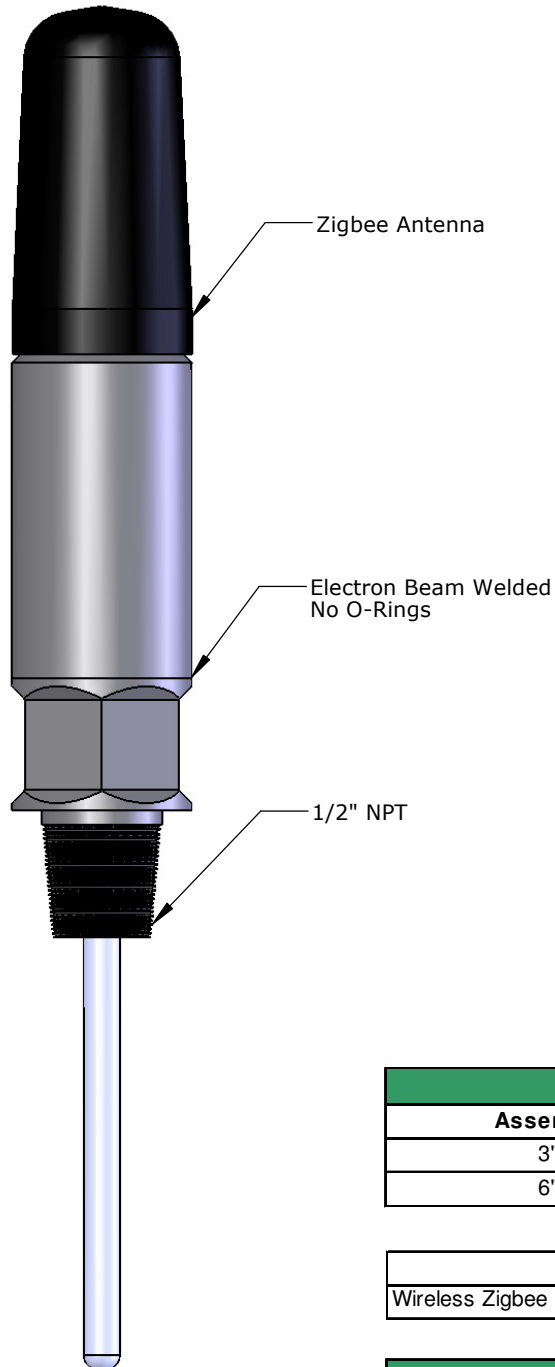


Features

- ✦ Easy to Use Software
- ✦ Digital Chart Records
- ✦ Multiple Sensor
- ✦ Wireless Communication
- ✦ Custom Pin or Box Connections Upon Request



Wireless Temperature Transmitter - SS17-4		
Assembly Type	Temperature	Part No.
3" Probe	200°C	101812
6" Probe		101813

Accessory Type	Part No.
Wireless Zigbee Receiver	101790

Specifications	
Accuracy Up To	0.25°C
Resolution	0.005°C
Drift	<0.1 °C/year
Communication Method	Radio
Wireless Range	Up to 100m